

UF-019 Single Phase Fan/Motor Speed Controller

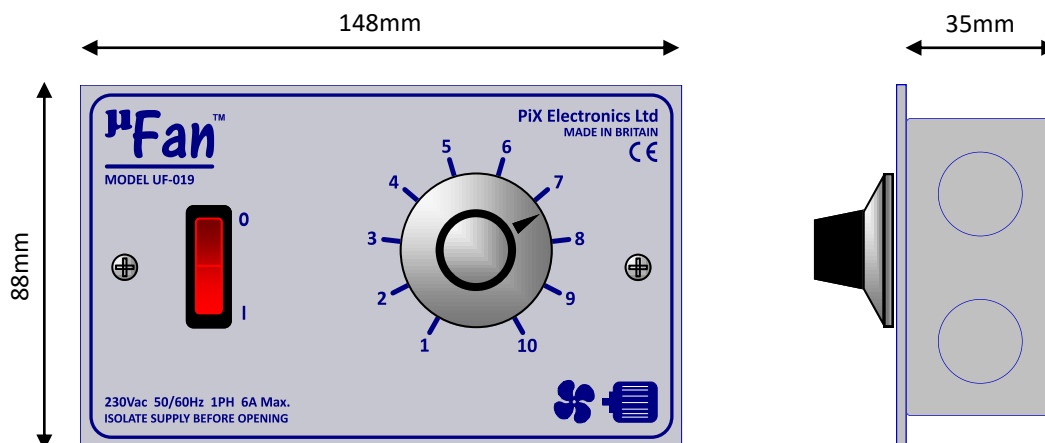
INSTALLATION GUIDE

INSTALLATION

1. Must be carried out by a suitably qualified electrician with appropriate safeguards in place.
2. Check that the maximum fan/motor current will not exceed 6Amps
3. Position in a dry area where the ambient temperature will not exceed 30°C.
4. Remove the back box by unscrewing the two panel screws. Set it into the wall so that the panel can be flush mounted or replace it with a double pattress for mounting on a surface.
5. Route the mains supply and fan control cables into the box and connect using the diagrams below. The panel and back box must be earthed.

SETUP AND OPERATION

1. Setup is carried out with the panel removed and the unit live, exercise extreme caution.
2. With the panel removed, switch on the unit and rotate the control dial to the fully anti-clockwise position.
3. Observing the fan, adjust the potentiometer + or - to set the desired minimum speed.
4. Replace the panel.
5. Adjust the running speed using the dial, clockwise for faster.



All of our products are designed, made and tested in Britain

They conform to all relevant European standards

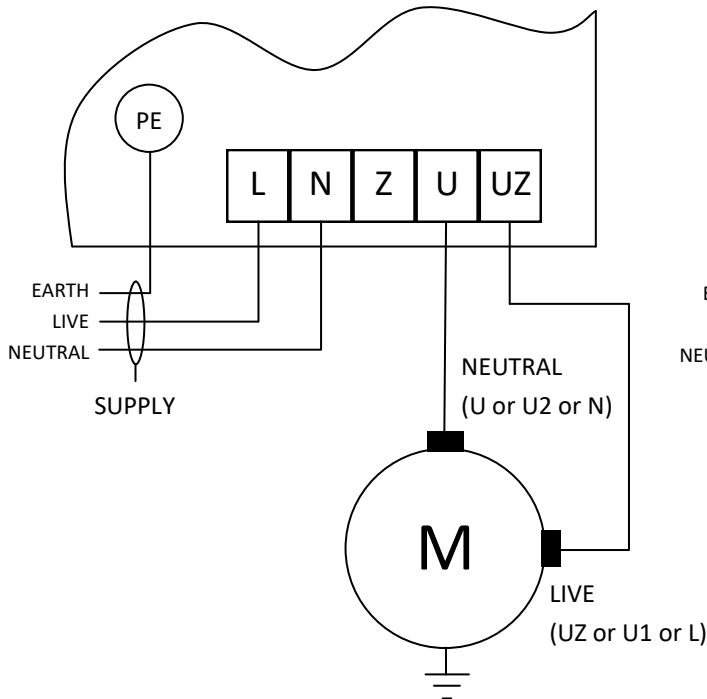
We only use high quality components

Plain, recyclable packaging contributes to a reduced environmental impact

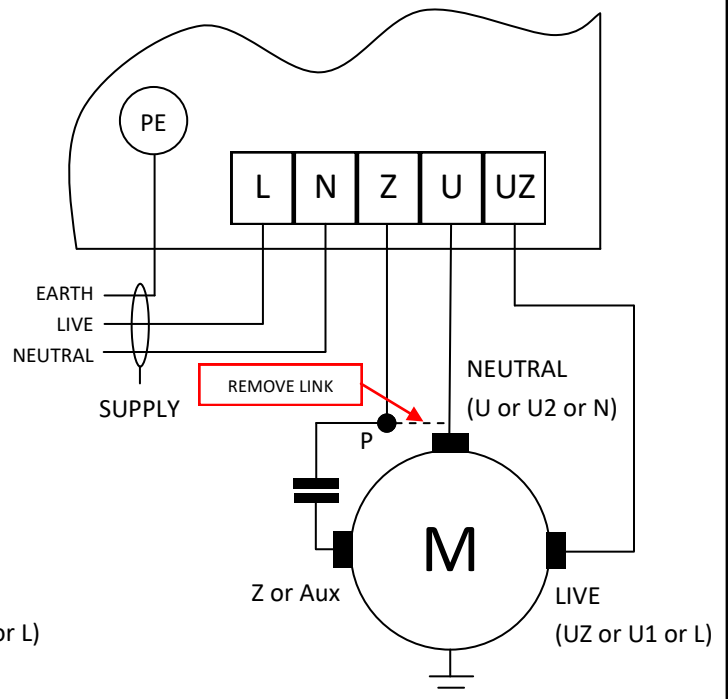
UF-019 Single Phase Fan/Motor Speed Controller

INSTALLATION GUIDE

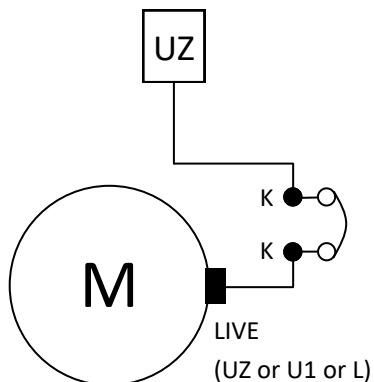
2-WIRE CONTROL



3-WIRE CONTROL



THERMAL CUTOUT (IF FITTED)



All of our products are designed, made and tested in Britain

They conform to all relevant European standards

We only use high quality components

Plain, recyclable packaging contributes to a reduced environmental impact